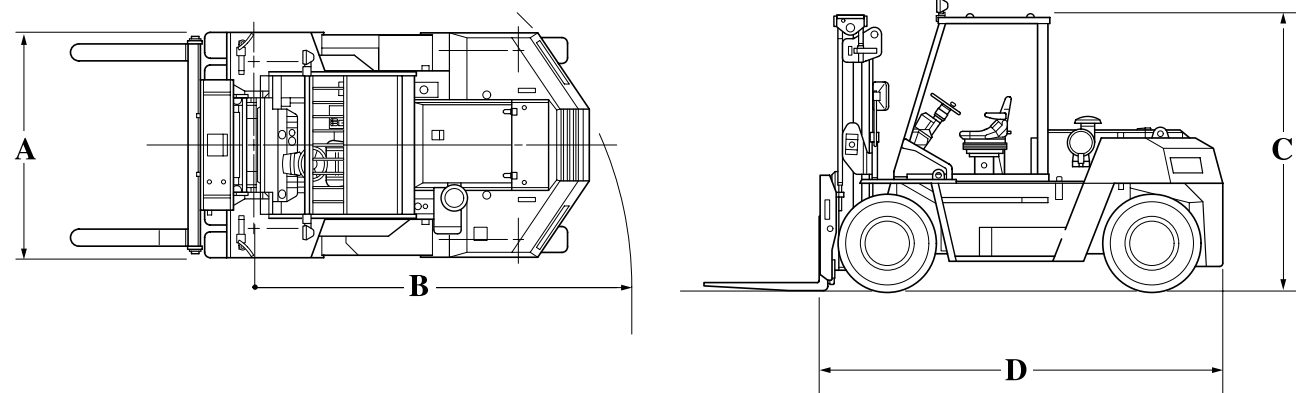


## MAIN SPECIFICATIONS

Model		4FD100	4FD115	4FD120	4FD135	4FDK150	4FDK160
Engine Model		HINO J08E-T	HINO J08E-T	HINO J08E-T	HINO J08E-T	HINO J08E-T	HINO J08E-T
Load Capacity	kg	10,000	11,500	12,000	13,500	15,000	16,000
Load Center	mm	600	600	600	600	600	600
Overall Width	A mm	2,315	2,385	2,385	2,415	2,415	2,485
Turning Radius (Outside)	B mm	4,000	4,000	4,000	4,300	4,300	4,450
Overhead Guard Height (Head Guard / Cabin)	C mm	2,930/2,970	2,945/2,985	2,945/2,985	2,960/3,000	2,960/3,000	2,980/3,020
Length to Fork Face	D mm	4,200	4,270	4,270	4,590	4,620	4,700

## ENGINE SPECIFICATIONS

Engine Model	HINO J08E-T	
Piston Displacement	CC	7,684
Rated Horsepower/r.p.m	kW	125 / 2,300
	JIS ps	170 / 2,300
Rated Torque/r.p.m	Nm	550 / 1,600
	JIS kgfm	56 / 1,600



Availability and specifications are determined regionally and are subject to change without notice. Please consult your Toyota representative for details.

This brochure is printed on recycled paper with soy ink. 



**TOYOTA Material Handling Company**

A Division of TOYOTA INDUSTRIES CORPORATION

CAT.4FD100-160 / E-0407/©/Printed in Japan/No.711120E0/1,900

# 10.0 to 16.0 ton SERIES



# Ecology and Economy, with Ease & Comfort.

Toyota offers a new large-capacity forklift based on these three types of ECO. Along with power and maneuverability, this forklift embodies and highlights all the many other features that heavy work demands. Toyota's new large-capacity forklift is ready to move. The right choice to meet your needs today.



## Ecology

Industry's First

# LEAVES

Low Emission AdVanced Engine Series



Powerful  
Common-rail direct injection

Rated Horsepower/r.p.m  
**125kW**  
/2,300

Rated Torque/r.p.m  
**550Nm**  
/1,600

Toyota's new forklifts are not just powerful, making heavy work fast and effortless, but are also equipped with the latest low-emission, quiet, common-rail direct injection diesel engines, delivering significant improvements to the working environment.

Europe: EEC Stage2 America: EPA Tier2  
Regulation levels cleared

Exhaust gas amount

HC **0.2g/kWh**

CO **0.9g/kWh**

NOx **5.5g/kWh**

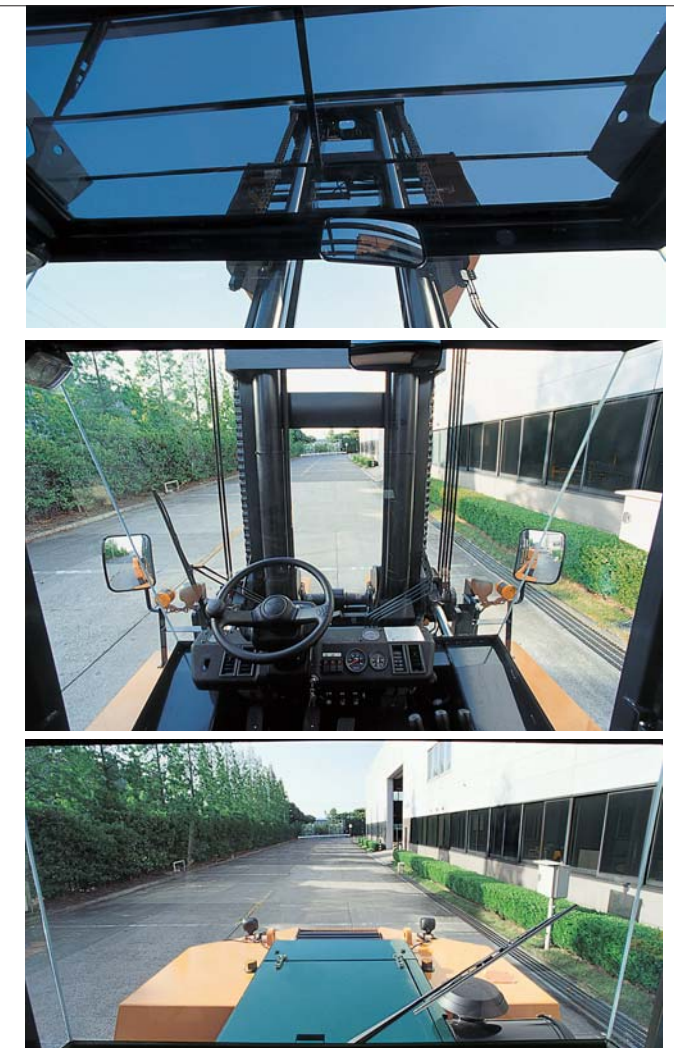
Black Smoke **11%**



The model shown is equipped with optional equipment.

## Ease & Comfort

A low-vibration, low-noise, fully floating pillar-less cabin with excellent field of vision and large capacity air conditioner is available as an option, further increasing operator comfort while working. Furthermore, superb features such as power assisted control lever, smooth two-stator torque converter, and electrical switch-parking brake, full hydraulic power steering with steering synchronizer help to eliminate stress and reduce driver fatigue.



### Multi-function Suspension Seat (Option)

An optional seat equipped with reclining function, seatbelts, and body weight adjustment feature is available. This same seat can also be equipped with an optional seat swivel function. The ergonomic seat design ensures operator comfort while working.



Easy cabin entry and exit

Comfortable seating when driving backwards

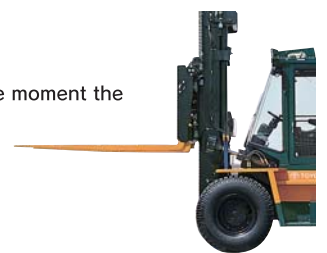
### Full Hydraulic Power Steering with Steering Synchronizer

In order to realize smooth handle operation, knob displacement has been eliminated using knob positioning control to automatically align the rear wheel cornering angle and steering.



### Key-off Lift Lock

The lift is automatically locked the moment the vehicle is turned off.

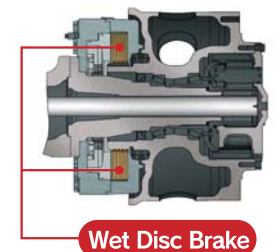


## Economy

Maintenance cost  
**60% lower**  
than previous model!

### Wet Disc Brake with Dedicated Cooling Circuit.

A dedicated oil cooler is used to perform forced cooling in order to avoid problems caused by heating. This highly reliable brake not only provides the operator with peace of mind, but also contributes to greatly reduced brake maintenance costs.



Wet Disc Brake