

Huski Scissor Lifts

Head and shoulders above the rest



GIVE YOUR BUSINESS THE LIFT IT NEEDS.

The Huski E-Series Scissor Lift is one of the most versatile tools on the market. Its adaptable design can be used for facilities maintenance, installation, construction, and more. With working heights of up to 9.68m and the capability to fit through a doorway, the maneuverable and agile Huski E-Series Scissor Lift is a dependable tool for many tasks.



SV06ENS

Platform Height
5.72m

Load Capacity
230kg

SV06ENL

Platform Height
6.10m

Load Capacity
360kg

SV08ENL

Platform Height
7.77m

Load Capacity
360kg

SV08EWL

Platform Height
7.92m

Load Capacity
450kg

SV10EWL

Platform Height
9.68m

Load Capacity
450kg

UPPER CONTROL EQUIPMENT

Located at a convenient height of 1m from the platform deck. Controls include enable switch, lift/travel lever and emergency stop button, as well as an easy-to-view battery level indicator.



Warning lights

Battery level indicator

4 LEDs: 76-100% 2 LEDs: 26-50%
3 LEDs: 51-75% 1 LED: less than 25%



Steering Switch

Lift/travel joystick controller with steering switch

Enable switch



Horn button

Emergency stop button

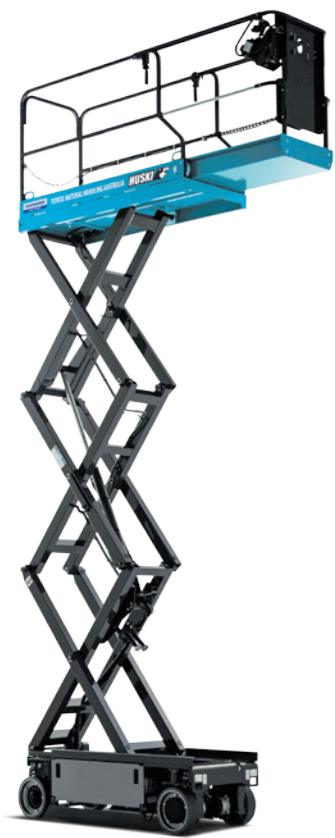
Lift/travel select switch

Capacity select switch for SV08E1NL and SV10E1WL

SLIDING EXTENSION DECK

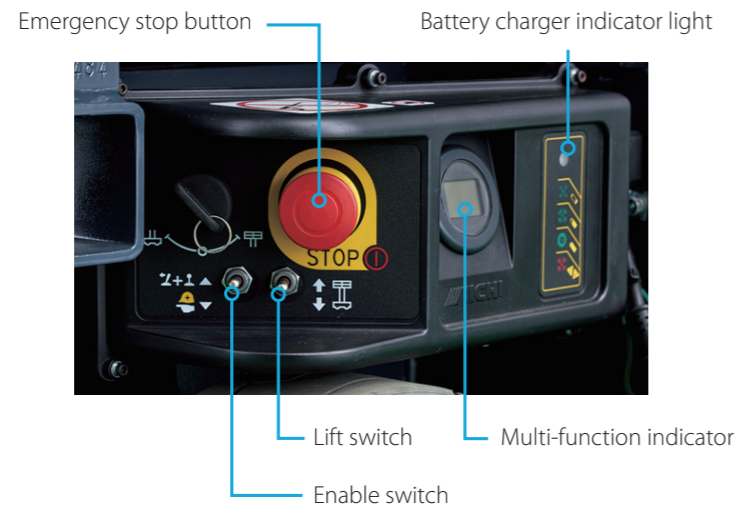


The platform deck can be extended for greater reach to get closer work areas, even if objects on the road are blocking the chassis from the site area.



LOWER CONTROL

The right side of the chassis includes the lower control equipment, as well as a multi-function indicator for displaying the battery level and hour meter, and a battery charger indicator light.



Multi-function indicator

Displays the battery level and hour meter.



Battery charger indicator light

Displays the status of the charger using different colors and solid/flashing indicators.

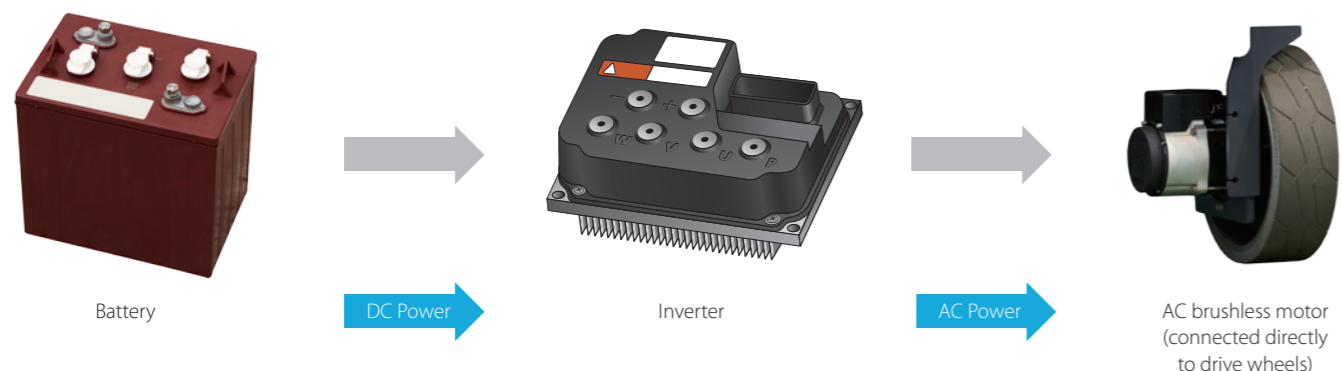


Charging plug

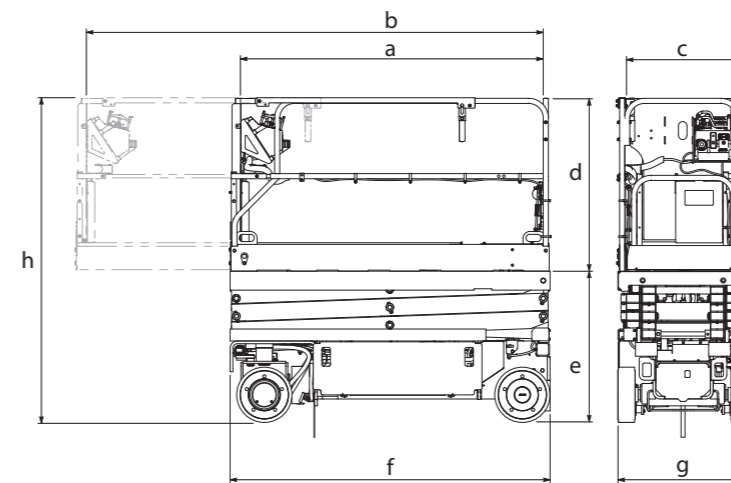
Charger cable is nearby the lower control box.

AC DRIVE MOTOR

An AC drive motor with energy saving has been used to ensure a long operation time.



SPECIFICATIONS



OPTION



Flash beacon

Flashes when power is on to alert people nearby.

General	MODEL		SV06ENS	SV06ENL	SV08ENL	SV08EWL	SV10EWL
	TYPE		Wheel type vertical lift aerial platform				
Platform	Load capacity	Total					
		Indoor	230kg	360kg / *230kg		450kg / **320kg	
		Outdoor	230kg	360kg	-	450kg / **320kg	
	Extension	120kg	120kg		120kg		
	Floor height		5.72m	6.10m	7.77m	7.92m	9.68m
Weight	Machine weight		1,540kg	2,165kg	2,100kg	2,770kg	2,960kg
	Tire loading force		700kg	830kg	830kg	1,100kg	1,100kg
Lifting	Speed	Up	26sec.	28sec.	33sec.	40sec.	55sec.
		Down	30sec.	40sec.	37sec.	50sec.	60sec.
Traveling	Speed	High	0 to 4.8km/h		0 to 4.5km/h		0 to 4.0km/h
		Low	0 to 0.8km/h		0 to 0.8km/h		0 to 0.8km/h
	Gradeability		25% (14°)				
Power sources	Input voltage		AC100-240V				
	Battery voltage		DC24V				
	Battery capacity		185Ah				
Devices	Safety devices		Enable switch, emergency stop button, horn button, traveling speed control system, pothole protector, hydraulic safety devices, electric safety devices, motion alarm				
	Other devices		Detachable upper control box, battery level indicator light, multi-function indicator				
Platform inner dimension	Length	a	1.77m	2.20m		2.40m	
	Extension	b	2.67m	3.10m		3.67m	
	Width	c	0.68m	0.68m		1.03m	
	Height	d	1.11m				
Machine dimension	Floor height	e	0.88m	1.10m	1.22m	1.22m	
	Overall length	f	1.87m	2.30m		2.50m	
	Overall width	g	0.81m	0.81m		1.17m	
	Overall height	h	1.99m	2.21m	2.33m	2.33m	

* For SV08ENL, 230kg is applicable when the floor height is over 6.10m.

** For SV10EWL, 320kg is applicable when the floor height is over 7.92m.



MORE THAN JUST MARKET LEADING FORKLIFTS

Known for market leading counter-balance forklifts and warehouse equipment, Toyota Material Handling is also proud to offer an unparalleled range of logistics and automation solutions to its Australian customers – including AGV driverless forklifts, elevated work platforms, scissor lifts, ride on and walk behind scrubbers and sweepers, plus a comprehensive range of warehouse racking solutions.

And with all of our products, we provide you with the service and replacement parts support you'd expect from a world leader.

The benefits of dealing with Toyota Material Handling include:

- Australia's biggest range of materials handling equipment

- Leading product, safety and environmental initiatives
- 100% Toyota owned branches
- Australia's largest rental fleet with over 23,000 units
- Forklift rentals from 1 day to 5 years with flexible finance options available
- 450+ service support staff & 300+ service vans

So, whether we are supplying a single part or helping to manage your entire fleet, our aim remains the same – adding value to your operation.

It's all part of the Toyota Advantage.

Toyota Material Handling Australia (TMHA) has used its best endeavours to ensure brochure information is correct when published. All images are used for illustration purposes only and actual colour of products may differ from images displayed. TMHA, to the extent permissible at law, is not liable to any person for loss or damage arising from reliance upon information contained in this brochure. Distributed nationally by Toyota Material Handling Australia Pty Limited ABN 38 104 644 635. 8 Secombe Place Moorebank NSW 2170. Printed May 2018.

