

COMPACT TRACK LOADER

takeuchiTM
From World First to World Leader

TL8R-2



Operating Weight: 4,165 kg

Product Features & Specifications

ENGINE

- EU Stage V / EPA Tier 4 Emission Compliant
- Turbocharged
- High Pressure Common Rail Fuel Injection System
- DOC+DPF Exhaust After Treatment
- Automatic Fuel Priming System
- Active Power Control, Power Management System
- Working Modes - Standard and ECO Mode
- Double Element Air Cleaner
- Hand and Foot Throttle Control
- High Capacity Radiator and Hydraulic Oil Cooler Mounted Side-by-Side on Swing Out Frame

ELECTRICAL

- 5.7" Multi-Informational Color Display with Rear View Camera
- Sealed Rocker Switches
- 12 Volt System with 60 amp Alternator
- LED Work Lights: Two Front and Two Rear
- Heavy Duty, Easy Access Battery
- Engine Preheat System
- Hour Meter
- Back-up Alarm
- Horn
- Takeuchi Fleet Management - Telematics System*

UNDERCARRIAGE AND FRAME

- Double Reduction Planetary Drives
- Permanently Sealed Track Rollers with Metal Face Seals
- Fully Welded Frame with Integrated Cross Members
- Two-Speed Travel
- 400 mm Quiet Track Design with Flotation Tread
- Grease Type Track Adjuster
- Front and Rear Tie-Down Points
- Rear Bumper Integrated into Frame
- Creep Mode and Two-Speed Travel with Automatic Shift (optional)

OPERATOR'S STATION

- Tilt-up Operator's Station
- Deluxe High Back Suspension Seat
- Rear Pivoting Lap Bar with Arm Rest
- ROPS / FOPS Level I Structure
- Retractable 2" Seat Belt
- Pressurized Cab with Roll-up Door, A/C, Heat, Defrost and Front Wiper, and AM / FM / MP3 Radio (Cab Only)
- 3 Point Retractable Seat Belt (optional)
- Polycarbonate Front Door (Optional Cab)*
- FOPS Level II Roof Guard Kit (optional)
- Rear Wiper (Cab Standard Equipment in Europe Only)

HYDRAULIC & WORKING EQUIPMENT

- Radial Lift Design
- Hydraulic Pilot Controls
- Arm Float
- Cushioned Arm Cylinders
- Hydraulic Self Leveling System
- Proportional Auxiliary Hydraulic Controls with Detent
- Pressure Relieving Flat Faced Coupler Body
- 14-Pin Connector with Push Button Control (optional)
- High Capacity Steel Hydraulic Tank
- Mechanical Quick Hitch
- Hydraulic Quick Hitch (optional)
- High Flow Auxiliary Hydraulics 128.0 L/min (optional)
- Manual Parking Brake (optional)

TAKEUCHI FLEET MANAGEMENT

- Minimize Downtime
- Remote Diagnostics
- Utilization Tracking
- Proactive Maintenance
- Control Costs



Convenient Service and Maintenance Access



Greater Bucket and Lift Arm Forces

*Functions may not be available in all countries, so please consult your Takeuchi dealer for details.

TOUGH, POWERFUL, RELIABLE



Pilot Operated Controls



Battery Access Panel



Lower Cross Member & Step



Optional Creep Mode

The completely redesigned TL8R-2 is powerful, efficient, and engineered to provide excellent performance, durability, and value. Standard features include two-speed travel, pilot operated joystick controls, a large color multi-informational display, and quiet ride track system. The TL8R-2 has a spacious cabin with an automotive styled interior that includes a deluxe high back suspension seat, electronic throttle control, rocker switches for a wide variety of machine functions, 12 volt outlet, and cup holder.

A heavy duty rear door protects vital engine components and swings out to provide access to the high capacity, side-by-side cooling module with coolant sight glass, engine oil filter, engine oil fill and dipstick, fuel/water separator, and dual element air cleaner.

The left rear tower contains the hydraulic tank and filter, and the right rear tower contains the wiper fluid reservoir (cab models) and battery. With the cabin tilted up the primary and secondary fuel filters, DPF, pilot filter, pump group, and control valve can be inspected and serviced as needed.

Creep mode is an optional feature on the TL8R-2. This feature will enable operators to precisely match the forward speed of the track loader to a particular attachment without having to constantly meter the travel lever. Creep mode is ideal for attachments that require a consistent, repeatable travel speed, such as a cold planner and trencher.



Spacious operator's platform with easy to reach controls and switches.

OPERATING PERFORMANCE

Operating Weight - Canopy	3,995 kg
Cab	4,165 kg
Tipping Load	2,740 kg
Rated Operating Capacity, (ISO 14397-1) @ 35%*	960 kg
Operating Load at 50% of Tipping Load	1,370 kg
Bucket Breakout Force	27.6 kN
Lift Arm Breakout Force	26.5 kN
Traction Force	43.3 kN
Ground Pressure - Canopy	31.0 kPa
Ground Pressure - Cab	32.0 kPa
Travel speed -	
Low	7.5 km/h
High	11.2 km/h
Creep Mode Speed (optional)	
Low Range	0.15 km/h
High Range	5.0 km/h

*Operating capacity of track loaders is rated according to ISO 14397-1 at no more than 35% of the tipping load.

HYDRAULIC SYSTEM

Auxiliary Flow - Primary Circuit	72.3 L/min
Auxiliary Flow - High Flow (optional)	128.0 L/min
Hydraulic System Pressure	21.0 MPa

ENGINE

Make / Model	Kubota / V3307-CR-TE5B
Engine Displacement	3,331 ml
Rated Output (ISO 14396)	54.6 kW / 2,600 min ⁻¹
Maximum Torque	261.1 Nm / 1,500 min ⁻¹

FLUID CAPACITIES

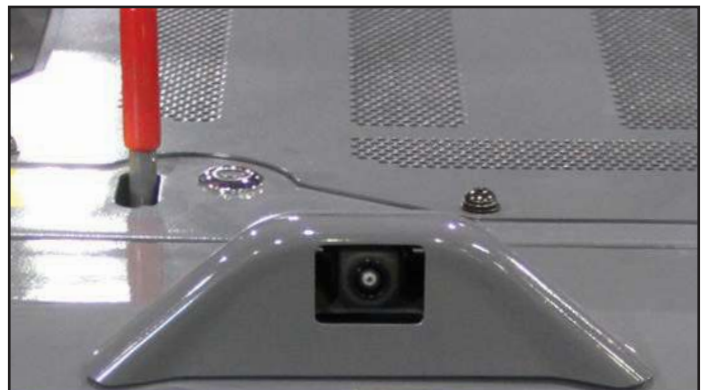
Engine Lubrication	11.2 L
Cooling System	15.0 L
Fuel Tank Capacity	107.0 L
Hydraulic Reservoir Capacity	36.5 L
Hydraulic System Capacity	60.0 L

SAFETY AND HEALTH

Vibration Levels	
Hand / Arm	≤ 2.5 m/s ²
Body	≤ 0.5 m/s ²
Noise Level	
Sound Power Level	LWA 103 dB



LCD Display



Rear View Camera

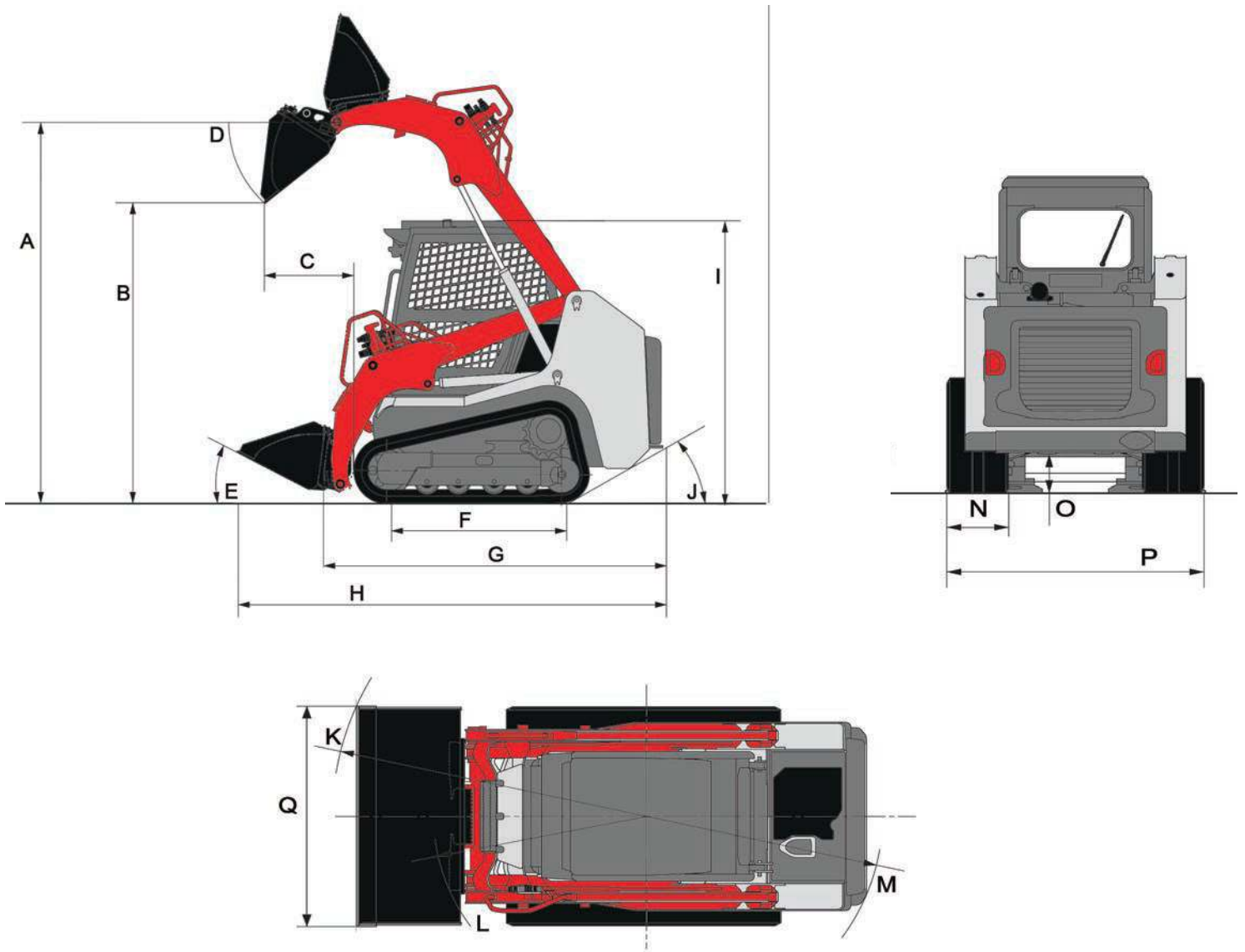


LED Work Lights



Hydraulic Lock

TL8R-2 Compact Track Loader



MACHINE DIMENSIONS

A	Maximum Lift Height to Bucket Pin	3,080 mm
B	Dump Height Fully Raised	2,420 mm
C	Dump Reach Fully Raised	720 mm
D	Dump Angle	38°
E	Rollback Angle	28°
F	Track Base	1,420 mm
G	Machine Length	2,790 mm
H	Transport Length	3,485 mm
I	Transport Height	2,230 mm
I'	Transport Height with Roof Guard	2,290 mm
J	Departure Angle	30°
K	Clearance Circle with Bucket	2,190 mm
L	Clearance Circle without Bucket	1,485 mm
M	Clearance Circle Rear	1,645 mm
N	Track Width	400 mm
O	Ground Clearance	290 mm
P	Overall Width without Bucket	1,660 mm
Q	Bucket Width	1,675 mm



© 2020 Takeuchi MFG. Co., Ltd. All Rights Reserved. In accordance with our established policy of continued improvement, specifications and features are subject to change without notice. Pictures may show options other than standard equipment.

FORM: TL8R-2 Compact Track Loader Spec Sheet - March 2020

TAKEUCHI[™]
From World First to World Leader